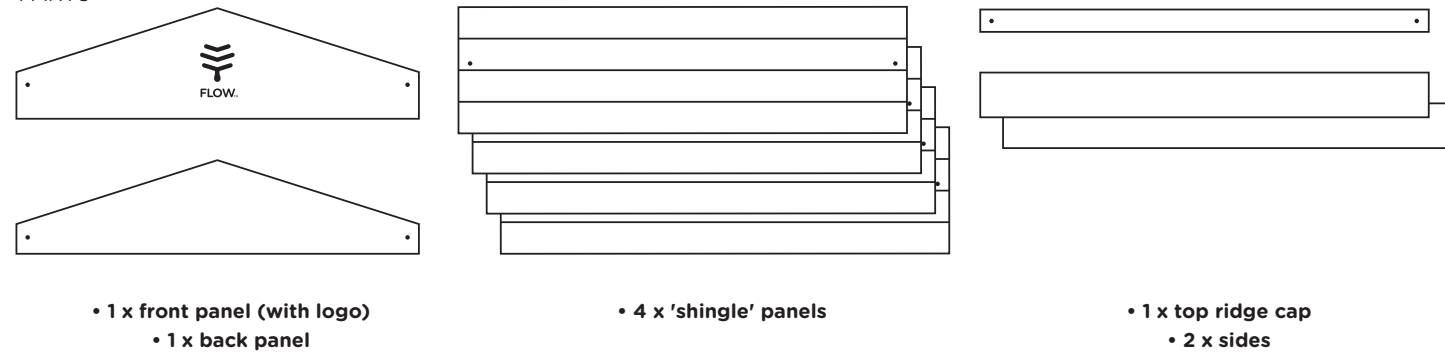


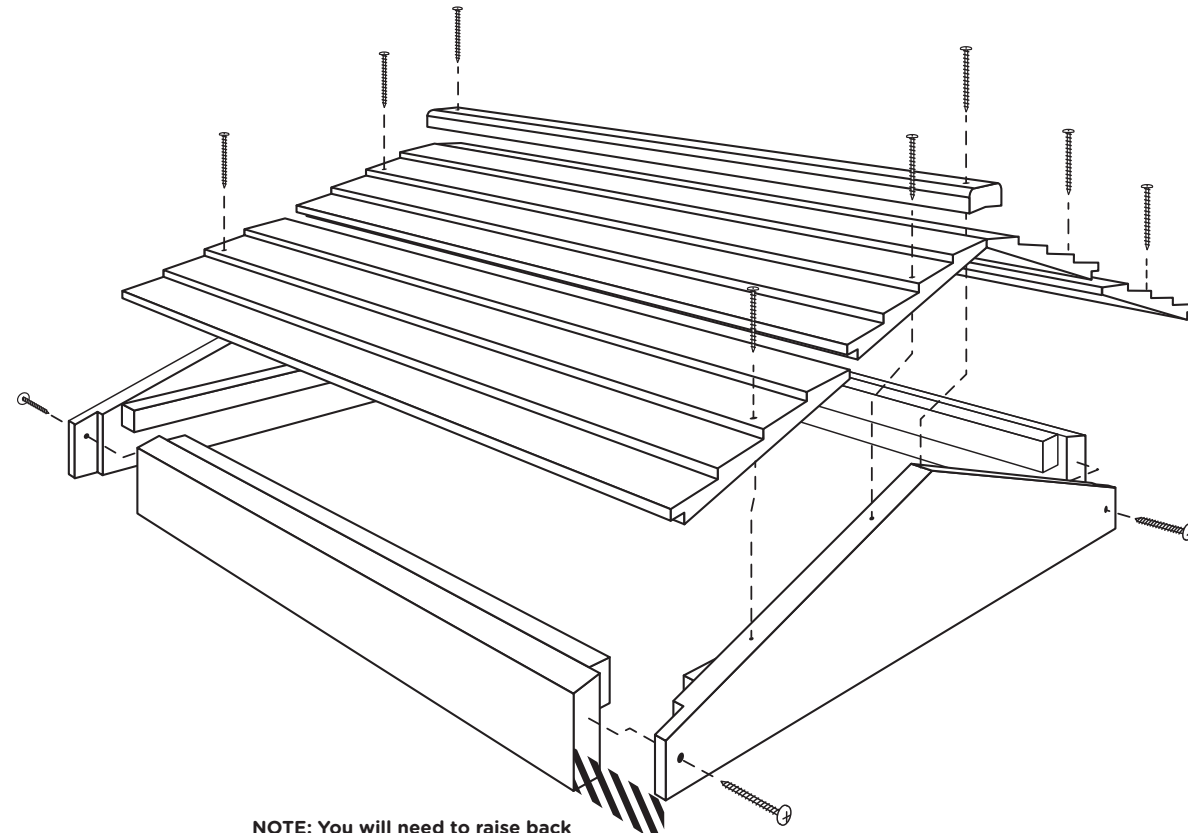
## HIVE ROOF

### PARTS



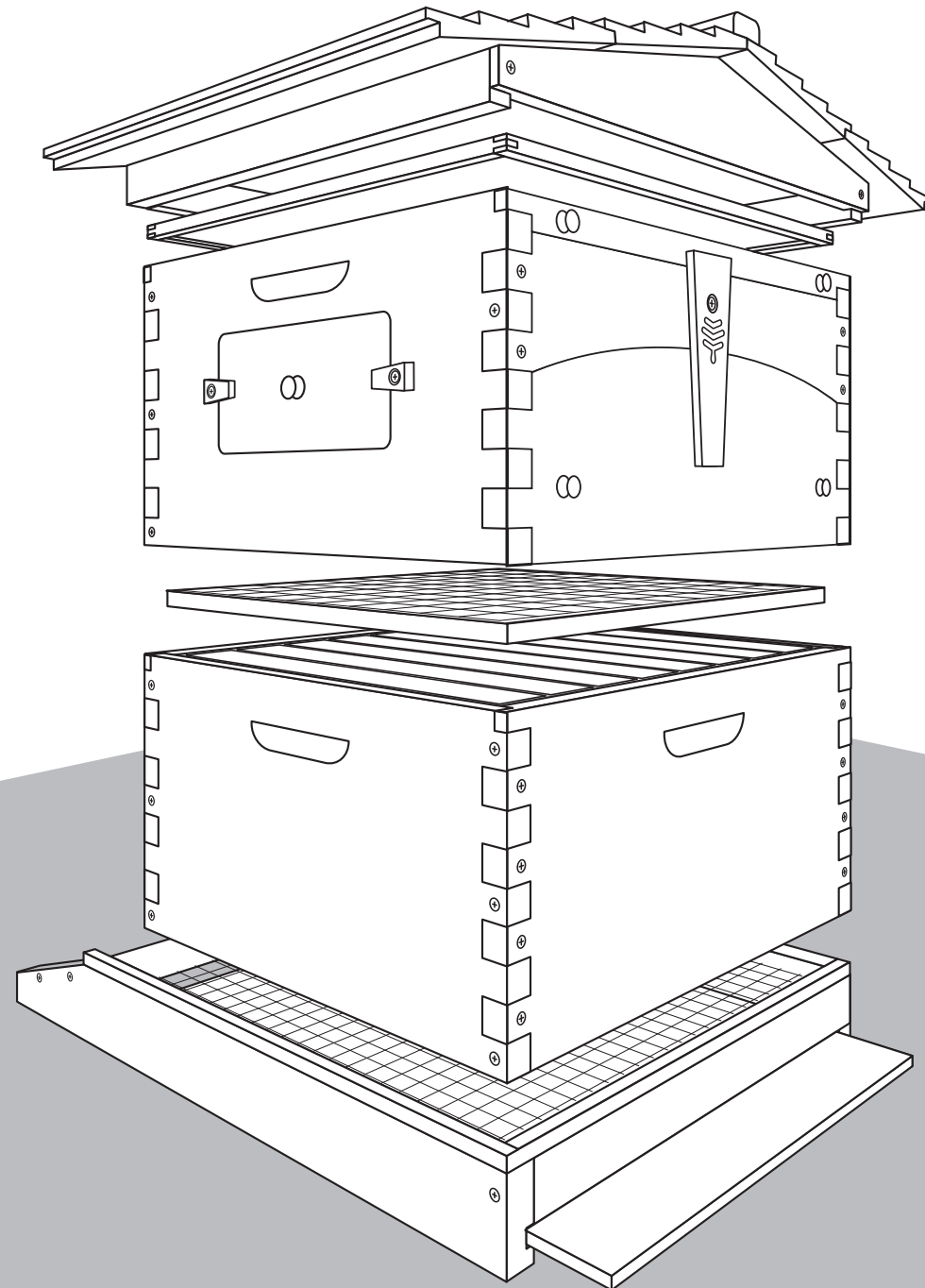
### HARDWARE

- 14 x 1 3/4" #8 pan head screws
- You will also need (not supplied):
- carpenter's square
  - 2 x clamps
  - phillips head screwdriver



### ROOF ASSEMBLY

1. Lay out all the pieces of the roof and ensure you have all the parts. Dry fit the pieces together (as per the illustration above).
3. Align and screw the front panel (this panel has the logo branded onto it) to the sides.
4. Lift the back panel so it aligns with the rake of the roof. Clamp the pieces, check that the rake is still aligned then screw together. Check to see that this frame is square.
5. Screw on the two upper shingle panels (do not over tighten). Slide the lower shingle panels under the recess of the upper panels and make sure they are flush front and back. Screw down the lower shingle panels. Tighten all screws.
6. Align and secure the ridge cap over the shingle panels.

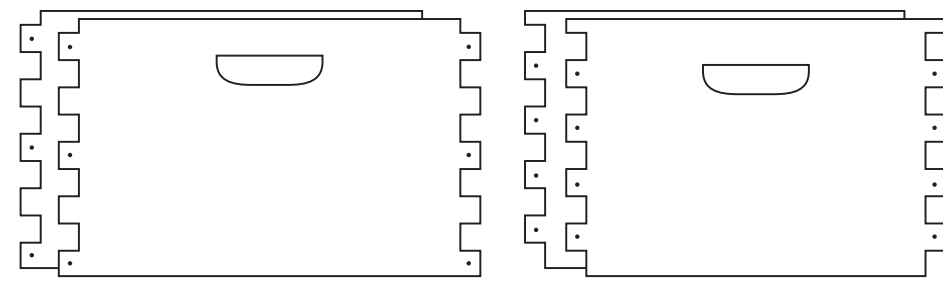


## COMPLETE FULL FLOW HIVE ASSEMBLY GUIDE



## BROOD BOX

### PARTS



• 2 x box side panels

• 2 x box end panels

### HARDWARE

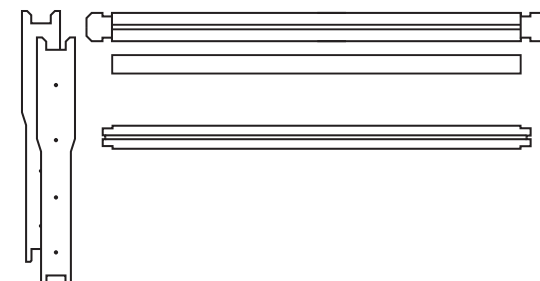
28 x 1 3/4" #8 pan head screws  
To assemble box sides and ends

**You will also need (not supplied):**

- carpenter's square
- 2 x clamps
- phillips head screwdriver

## FRAMES (X8)

### PARTS (SHOWN FOR SINGLE FRAME ONLY)



• 2 x end panels

• 1 x top bar  
• 1 x comb guide  
• 1 x bottom bar

### HARDWARE

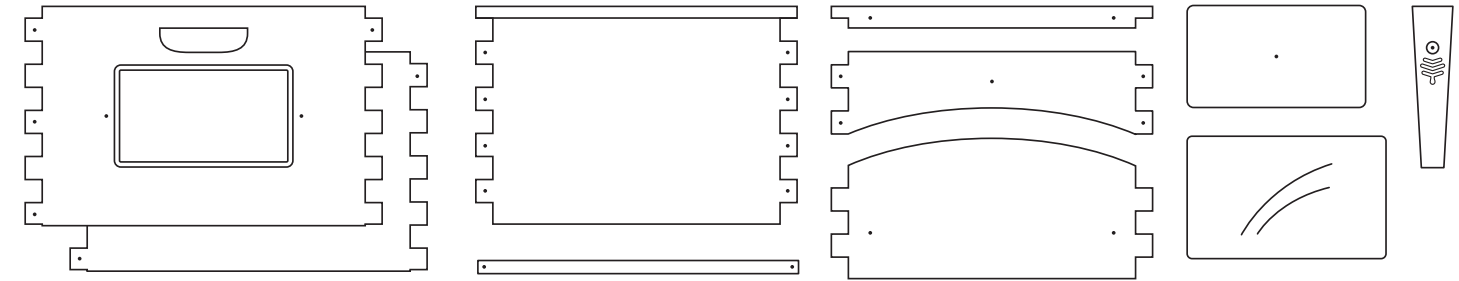
48 x nails

**You will also need (not supplied):**

- carpenter's square
- hammer

## FLOW™ SUPER

### PARTS



• 2 x side panels  
(1 with observation window)

• 1 x front panel  
• 1 x metal bottom strip

• 1 x Flow™ Key access cover  
• 1 x rear panel  
• 1 x rear window cover

• 1 x window cover  
• 1 x observation window  
• 1 x rear window latch

### HARDWARE

2 x observation window latches  
 5 x 3/4" wooden knobs

20 x 1 1/2" #8 pan head screws  
To assemble box sides and ends

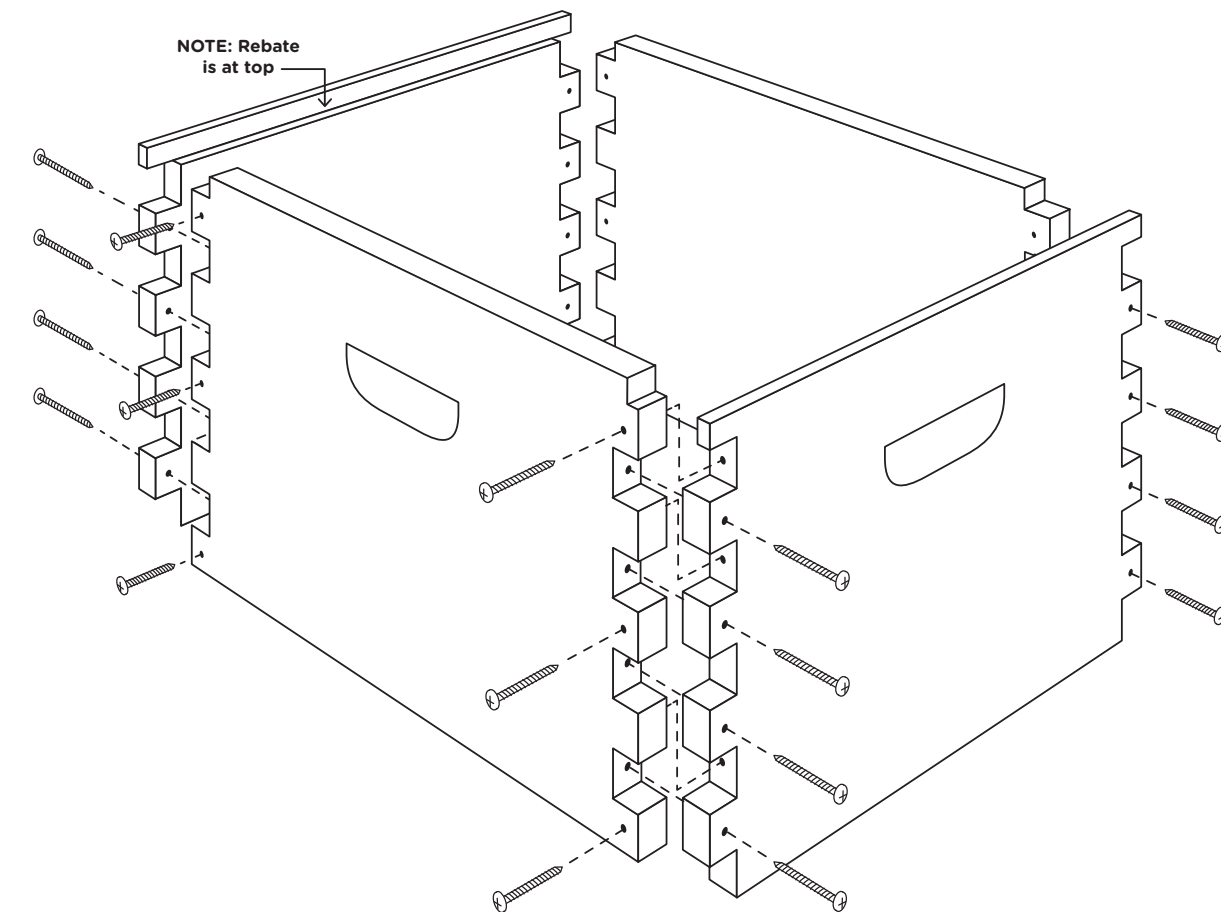
3 x 1" #8 washer head screws and springs  
To secure latches

7 x 3/4" #6 countersink head screw  
To affix metal strip and wooden knobs

4 x 3/8" #6 pan head screws  
To secure window

**You will also need (not supplied):**

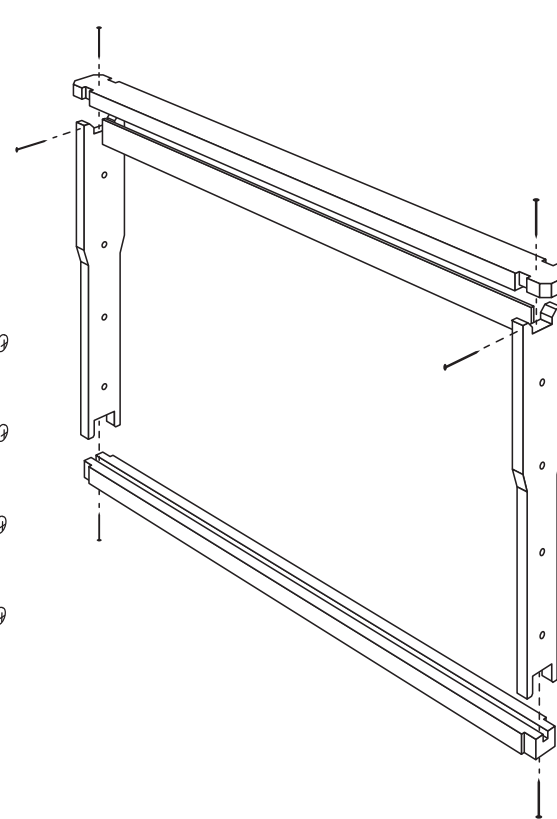
- carpenter's square
- 2 x clamps
- phillips head screwdriver



### BROOD BOX ASSEMBLY

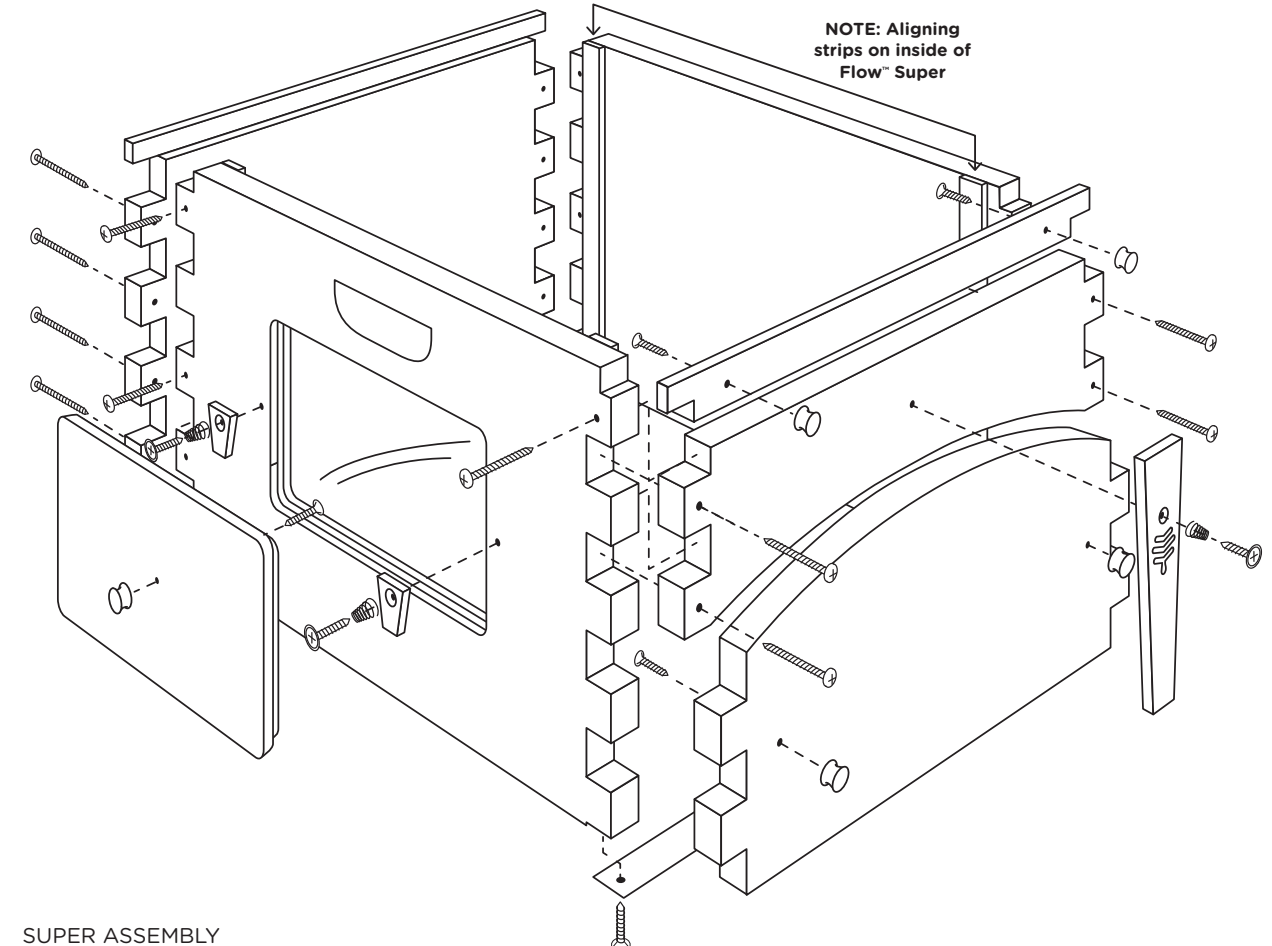
1. Lay out all the pieces of your brood box.
2. Dry fit all the pieces together to make a box (as per the illustration above). Be sure they fit together tightly and the handles are on the upper outside of the box.
3. Now apply one clamp on each side of the hive box toward the top. The clamps will allow you to assemble the box together more easily by holding the pieces in place as you screw them. Without the clamps, the force

- you put on the screw when you drive it into the frame may cause the other unsecured joints to fall apart.
4. While securing the clamps, check if the box is square using the carpenter's square. Adjust the clamps and box as needed to get it into alignment.
5. Screw the pieces together, checking that the box is square as you go along. You don't need to check after every screw but check often to keep the box aligned.



### FRAME ASSEMBLY

1. Lay out all the pieces for a single frame.
2. Apply a small amount of glue to the slots on the sides, then fit the top and bottom bars into the slots.
3. Check that the frame is square, then nail all pieces together.
4. Add a few drops of glue to the comb guide and insert into the slot in the underside of the top bar.
5. Repeat for remaining 7 frames.



### SUPER ASSEMBLY

1. Lay out all the pieces of your Flow™ super.
2. Remove protective plastic from both sides of observation window. Install into the rebate on the inside face of side panel and screw into place.
3. Dry fit all the pieces together to make a box (as per the illustration above). Be sure they fit together tightly and the handles are on the upper outside of the super.
4. Clamp all the pieces together as per the brood box construction to assist while inserting screws, checking that the super is square as you go along.

- Important Note:** do not screw the rear window cover in place as this piece will be used to gain access to the Flow™ Frames.
5. Affix the metal strip to the bottom of the super (insert the rear window cover into place before doing this so the spacing is correct). The rear window cover should be snug but still slide on and off easily.
  6. Add the handles to the observation window cover and Flow™ Key access cover. Insert the springs into the recesses on the latches before screwing them to the super. The springs will prevent over-tightening of the screws.