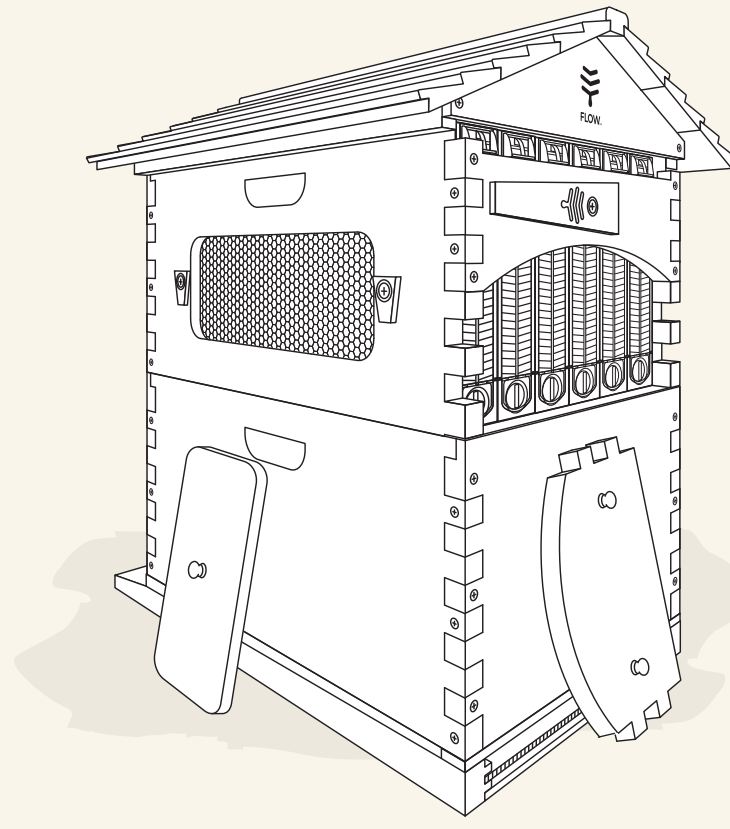


Which Flow Hive is right for me?

Newbee or beek?

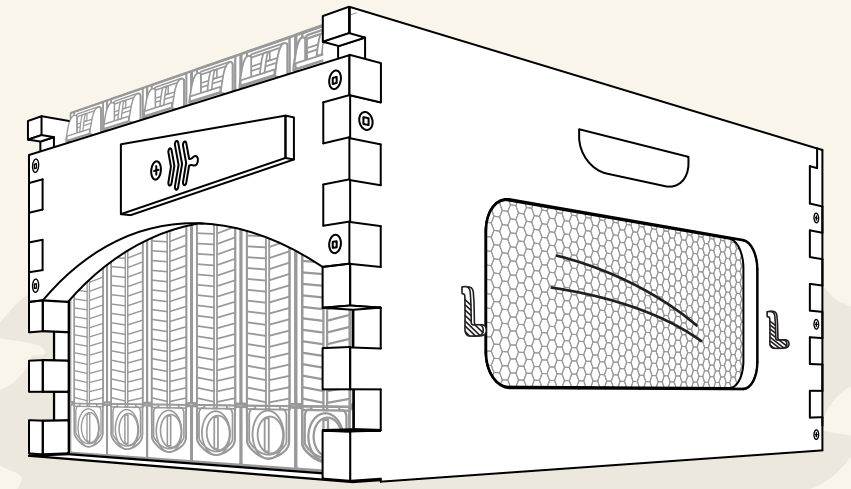


New to beekeeping

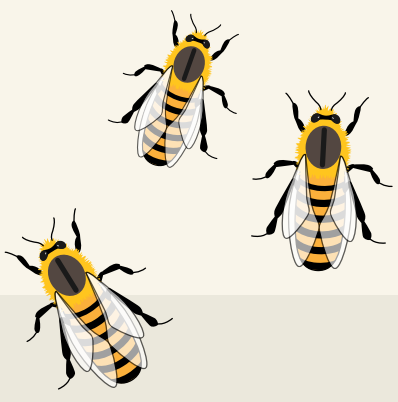


- A complete Flow Hive is perfect for beginners - it includes a Flow Super, brood box, and full complement of Flow Frames.
- We recommend getting a beekeeper suit and smoker.
- Consider a Flow Bundle - as well as a Flow Hive, it includes all the gear you need (at a special price).

Experienced beekeeper

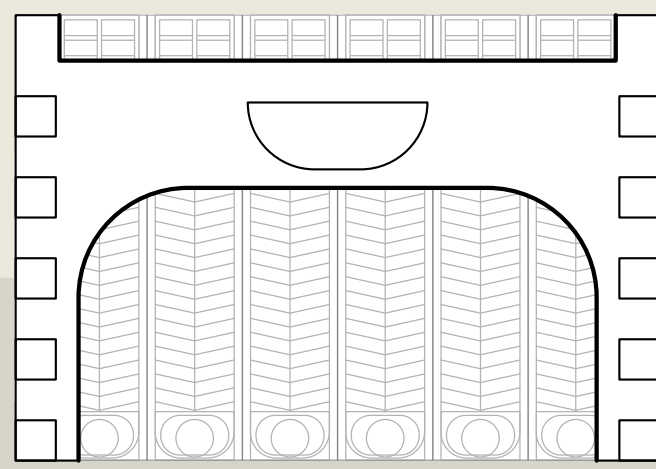


- Flow Hive's specially designed base creates the optimal harvesting angle, making the complete hive a popular choice for experienced beekeepers.
- Alternatively, if you don't want a completely new set-up, add a Flow Super to an existing Langstroth hive or modify your own super to add Flow Frames.



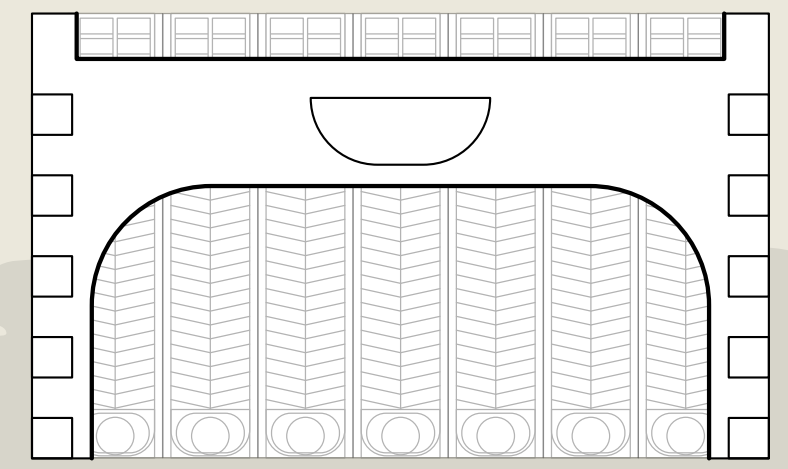
Which width?

6 Frame



- Compatible with 8 frame Langstroth equipment
- Widely used around the world
- Great way to get started in beekeeping
- Lighter to lift

7 Frame



- Compatible with 10 frame Langstroth equipment
- Often used in regions with colder winters
- Greater capacity for honey storage and yield



Which timber?

Western Red Cedar



- Premium option
- Most durable
- Natural rot resistant properties
- Lighter weight
- Sustainably harvested
- Fine timber grain with beautiful, rich colour variation
- Maintain a natural timber finish by oiling or staining

Araucaria



- More economical
- Highly durable
- Australian native hardwood timber
- Sustainably harvested
- Perfect canvas to create your own personalised hive design
- Requires two coats of weatherproof sealant (we recommend exterior house paint)

Which model?

Flow Hive 2



Our premium model includes an integrated pest management system and extra features to enhance your beekeeping experience. The ultimate in easy honey harvesting technology!

Flow Hive Classic



Our original best-selling hive is the signature kit that made Flow a household name and brought "honey on tap" to the world.

Flow Hive Hybrid



Our most economical hive allows you to easily harvest both fresh honeycomb and pure honey. The best of both worlds!

