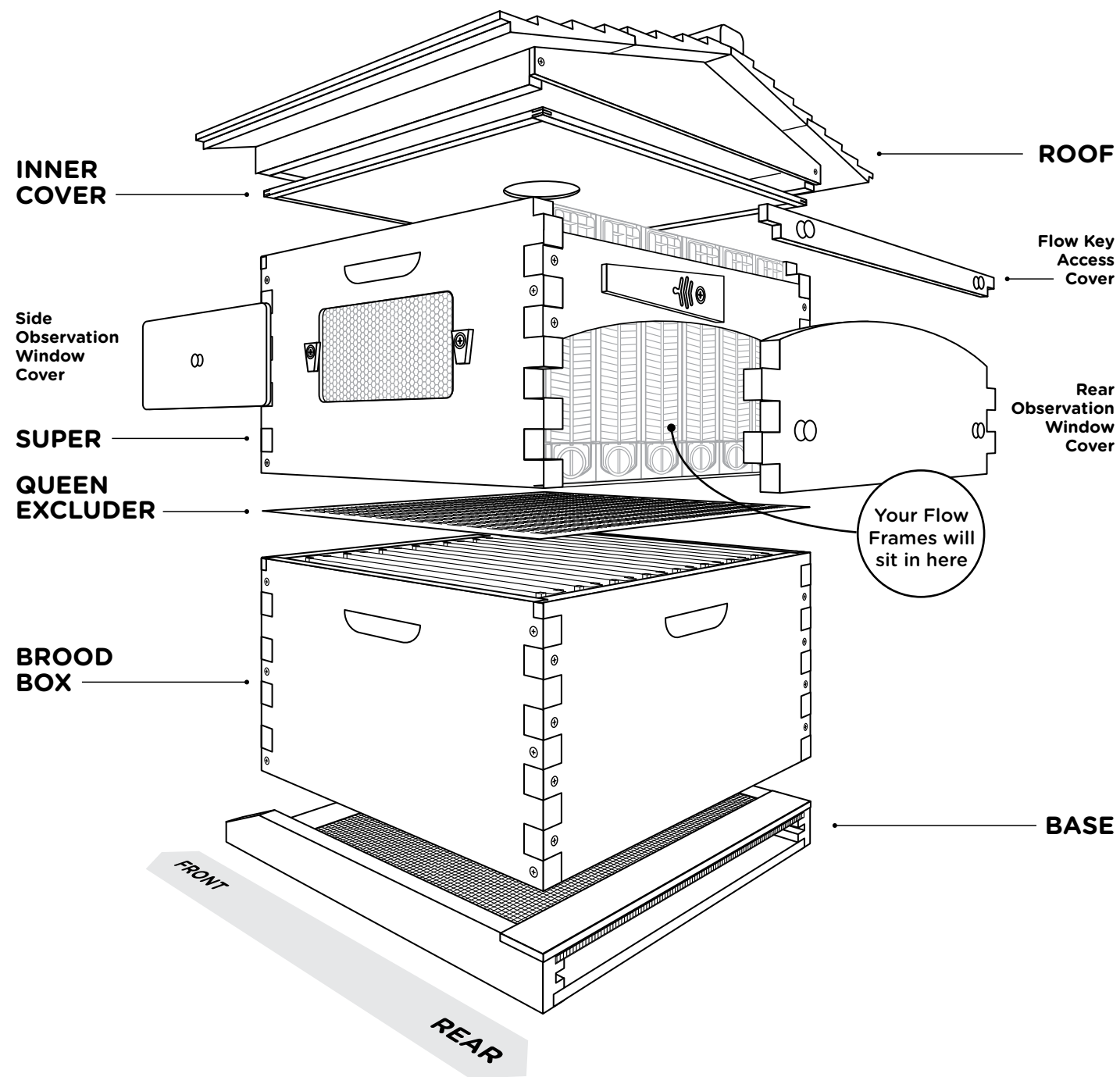


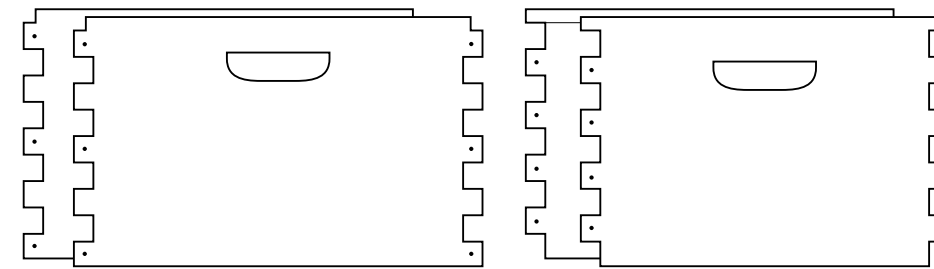
FLOW™ HIVE CLASSIC ASSEMBLY GUIDE

COMPONENTS OF A FLOW HIVE CLASSIC



1 BROOD BOX

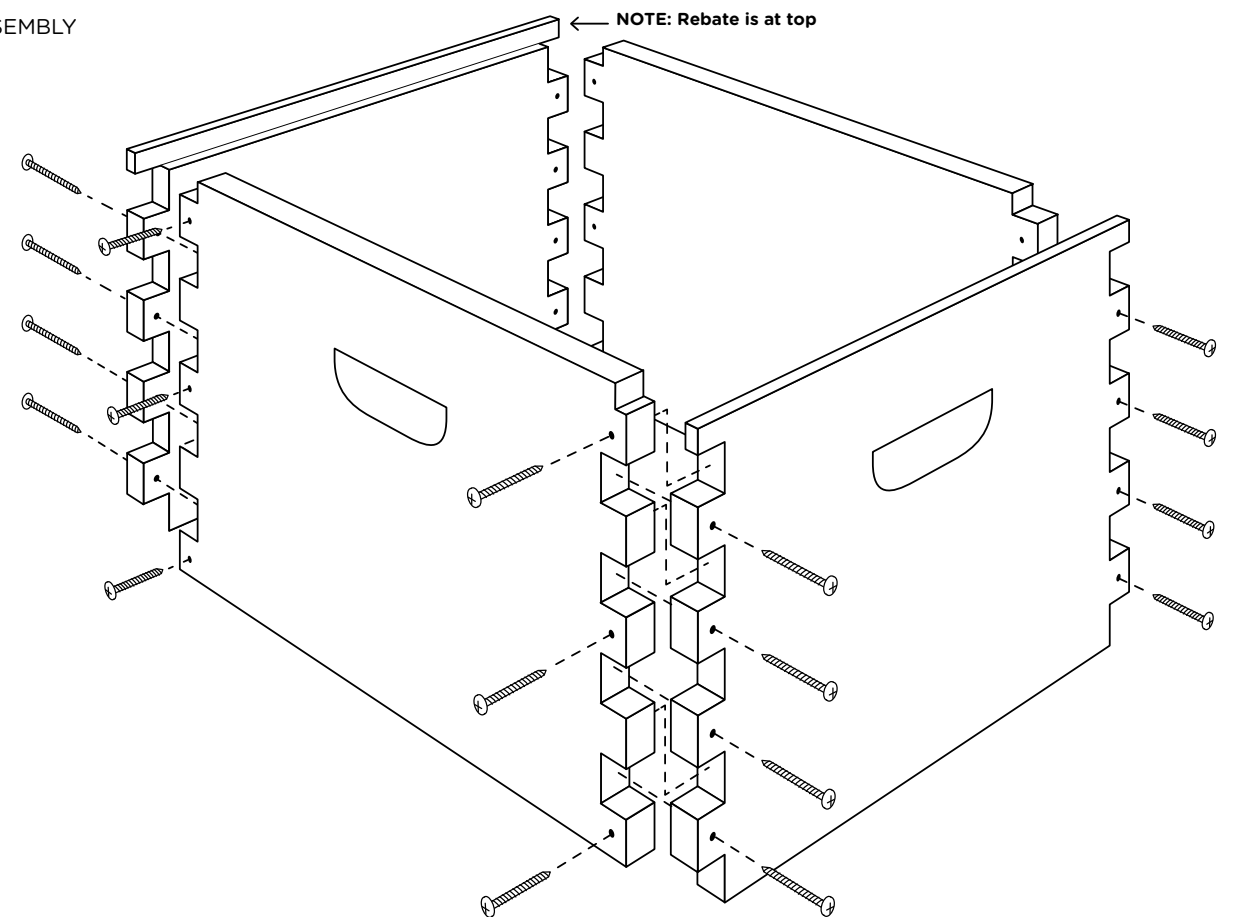
PARTS



HARDWARE

28 x 1 3/4" #8 pan head screws
To assemble box sides and ends

ASSEMBLY



- Read all instructions first.
- If you are unfamiliar with wood work, you may like to ask a friend or someone from your nearest beekeeping club to help.
- We've put together some great assembly support videos, view them here: www.honeyflow.com/assembly.

Tools you will need for assembly (not supplied):

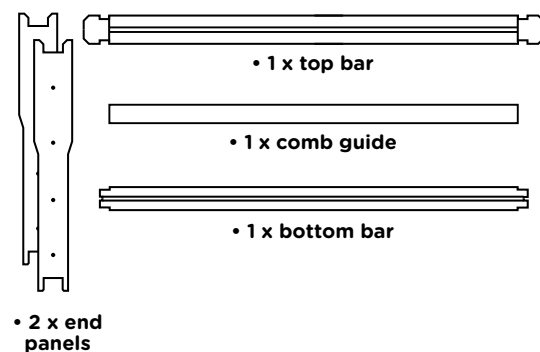
- carpenter's square
- 2 x clamps (large enough to clamp around box)
- drill on low torque with a phillips head bit or a phillips head screwdriver
- hammer
- non-toxic glue
- sandpaper

1. Cut binding tape and lay out all pieces of your brood box.
2. Dry fit all the pieces together to make a box (as per the illustration above). Be sure they fit together tightly and the handles are on the upper outside of the box. Some force may be necessary to get the fingers together, however if it looks like the wood could split use sandpaper to adjust finger size.
3. Now apply one clamp on each side of the hive box toward the top. The clamps will allow you to assemble the box together more easily by holding the pieces in place as you screw them. Without the clamps, the force you put on the screw when you drive it into the frame may cause the other unsecured joints to fall apart. If

- you don't have a clamp make sure the joints are held firmly together before driving in screws.
4. While securing the clamps, check if the box is square using the carpenter's square. Adjust the clamps and box as needed to get it into alignment. If you don't have a carpenter's square you can make visual checks or line up the box with the corner of a square table.
5. Screw the pieces together, checking that the box is square as you go along. You don't need to check after every screw but check often to keep the box aligned. Each hive is unique and may have imperfections from the woodworking process. Use sandpaper to smooth any required areas.

2 FRAMES (X8)

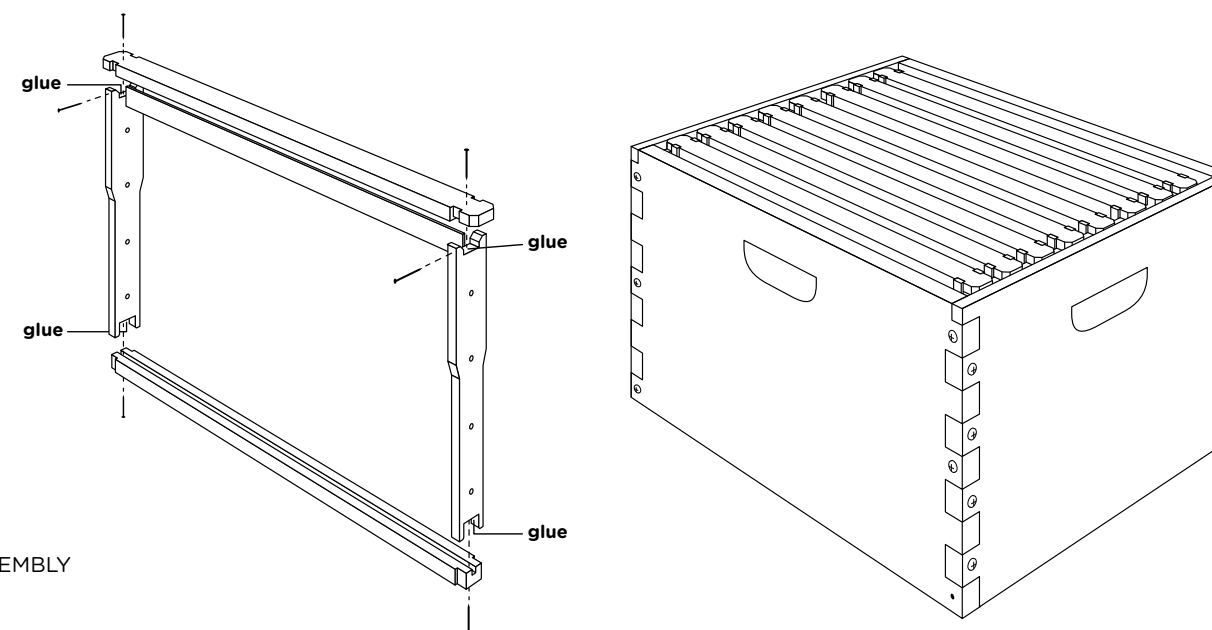
PARTS (SHOWN FOR SINGLE FRAME ONLY)



HARDWARE

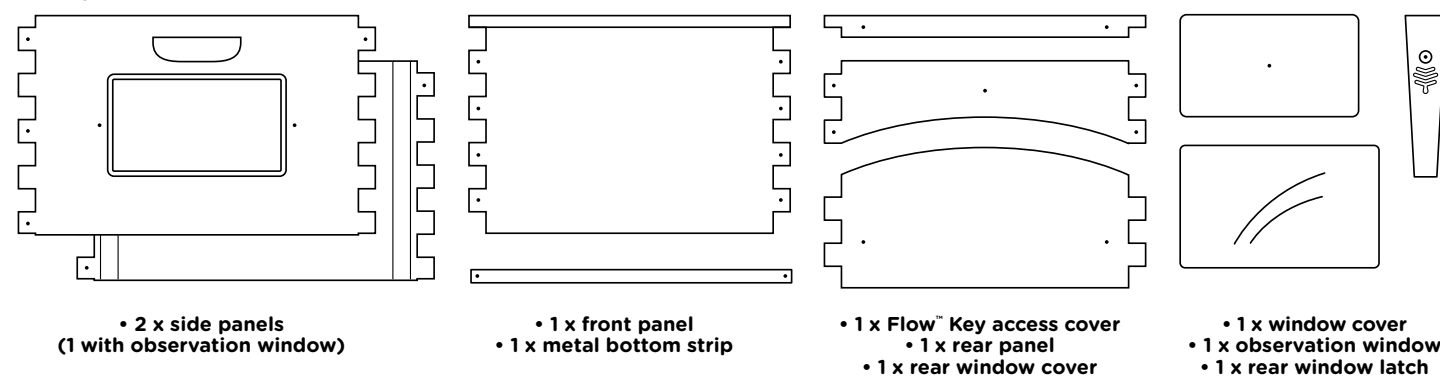
48 x nails

1. Lay out all the pieces for a single frame.
2. Apply a small amount of glue to the slots on the end panels, then fit the top and bottom bars into the slots. Glue is not 100% necessary but will make the frame more robust.
3. Check that the frame is square, then nail all pieces together.
4. If you plan to use foundationless frames in your brood box, add a few drops of glue onto the comb guide and insert into the slot in the underside of the top bar. However if you are using foundation do not add the comb guide, so you are able to add your choice of foundation.
5. Repeat for remaining 7 frames.
6. When frames are placed in the box, centre them so extra space is on either side. The frames sit loosely in the Brood Box as they are designed to allow the bees to draw their own comb.



3 FLOW™ SUPER

PARTS



HARDWARE

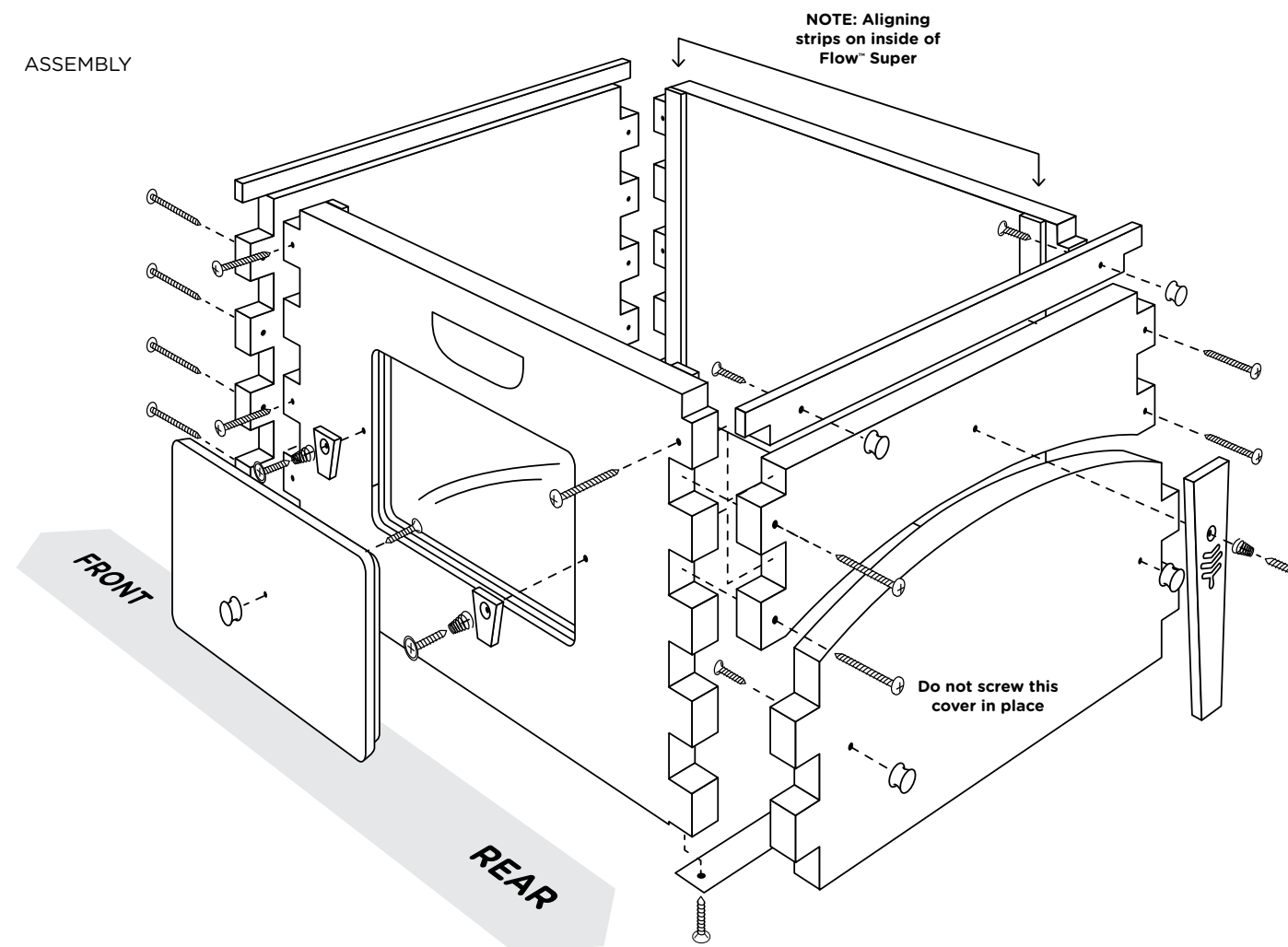


1. Lay out all the pieces of your Flow™ super.
2. Remove protective plastic from both sides of observation window. Install into the rebate on the inside face of side panel and screw into place.
3. Dry fit all the pieces together to make a box (as per the assembly illustration). Be sure they fit together tightly and the handles are on the upper outside of the super.
4. Clamp all the pieces together as per the brood box construction to assist while inserting screws, checking that the super is square as you go along.

IMPORTANT NOTE: do not screw the rear window cover in place as this piece will be used to gain access to the Flow™ Frames.

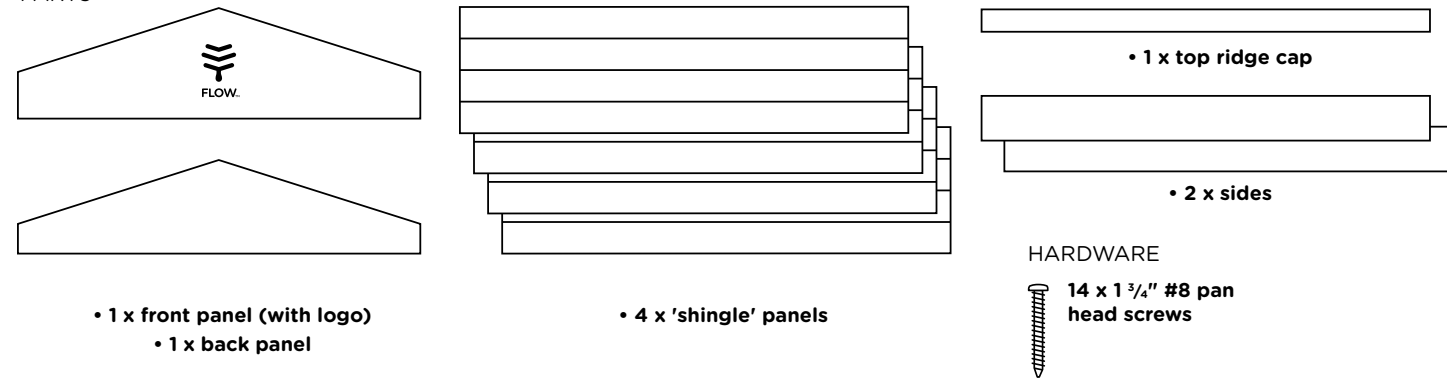
5. Affix the metal strip to the bottom of the super (insert the rear window cover into place before doing this so the spacing is correct). The rear window cover should be snug but still slide on and off easily.
6. Add the handles to the rear and side observation window covers and Flow™ key access cover. Insert the springs into the recesses on the latches before screwing them to the super. The springs will prevent over-tightening of the screws.

ASSEMBLY

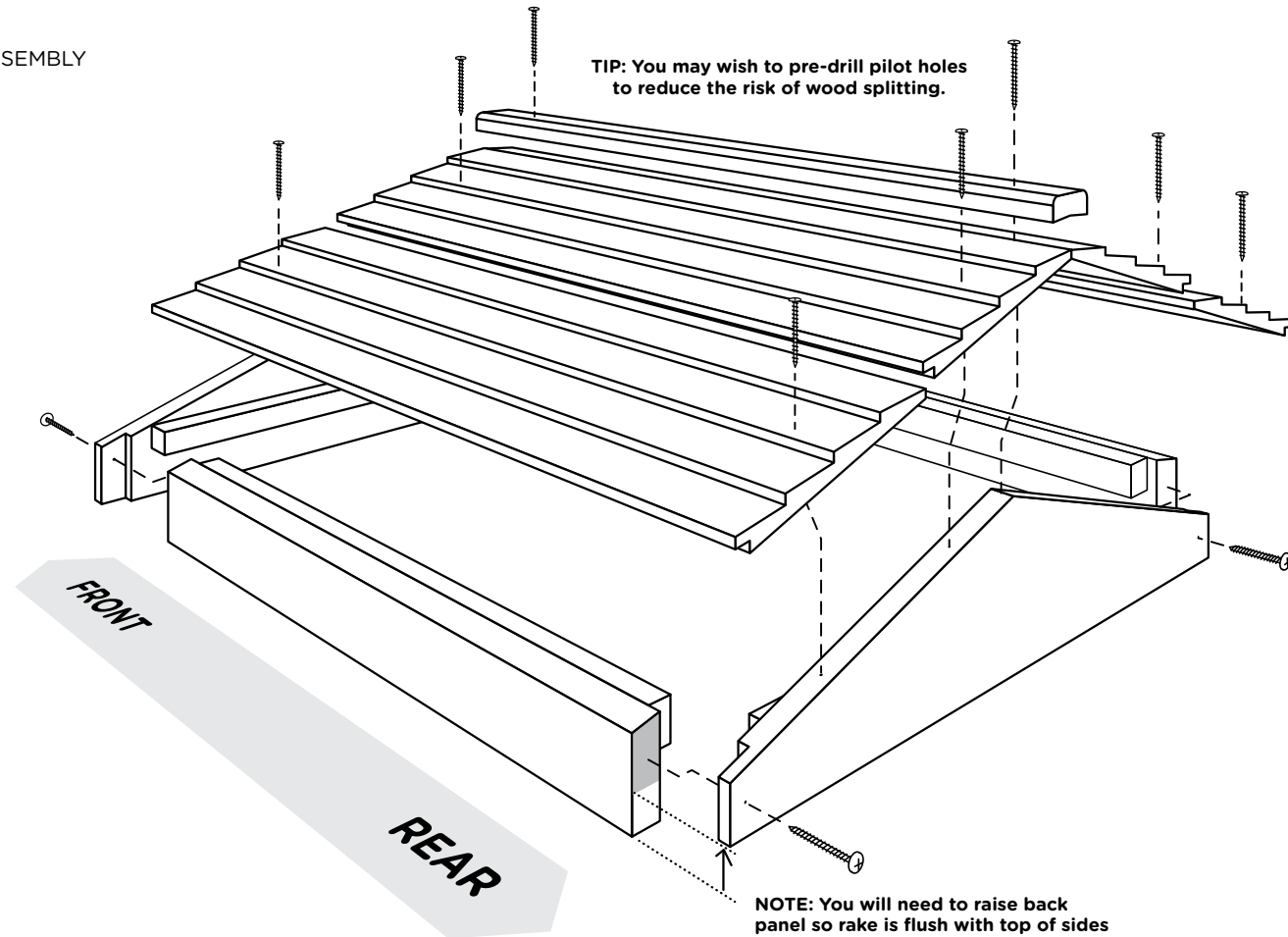


4 ROOF

PARTS



ASSEMBLY



1. Lay out all the pieces of the roof and ensure you have all the parts. Dry fit the pieces together (as per the illustration above).
2. Align and screw the front panel (this panel has the logo branded onto it) to the sides. The side panels do not have pre-drilled holes. You may pre-drill to reduce the risk of wood splitting.
3. Lift the back panel so the sides align to the rake of the roof. You may wish to mark and pre drill the holes then partially insert screws so they are slightly protruding from the holes in the back panel to help you align with

4. Place the two top shingles on first and ensure they meet neatly along the apex point of the roof. Lining up the roof can be tricky, you may like to view the assembly video for instructions. Screw on the two upper shingle panels (do not over tighten). Slide the lower shingle panels under the recess of the upper panels and make sure they are flush front and back. Screw down the lower shingle panels. Tighten all screws.
5. Align and secure the ridge cap over the shingle panels.

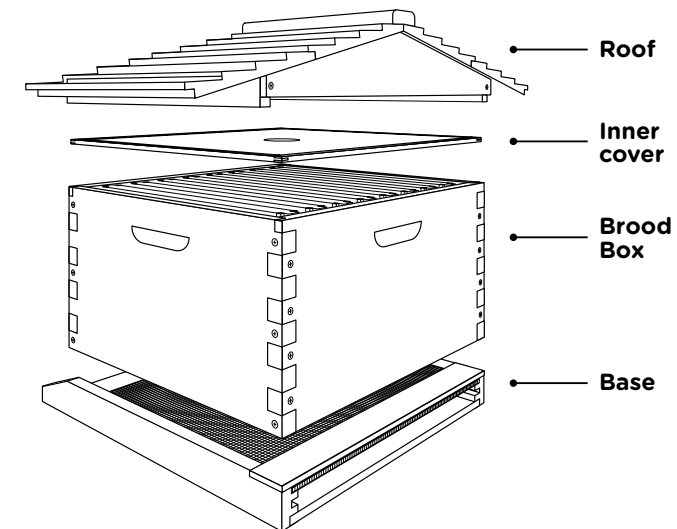
5 FINISHING

We use tung oil or other suitable wood finish on the outside of the hive only.

6 CONFIGURATIONS

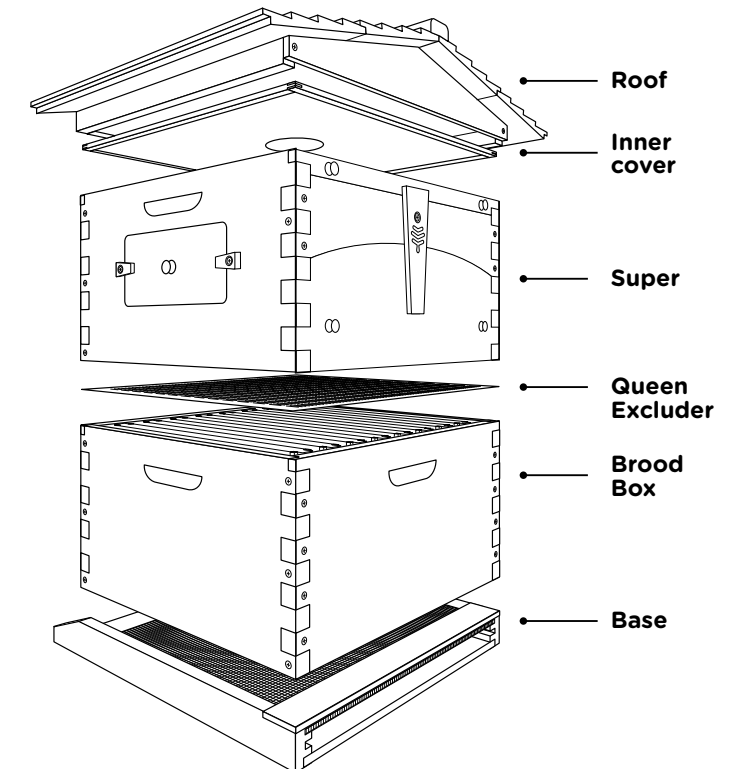
STARTING YOUR COLONY CONFIGURATION

Brood box with frames, inner cover and roof only while your bees are growing in numbers and building comb. We cover the feeder hole of the inner cover with screen mesh or a piece of wood.



ESTABLISHED COLONY CONFIGURATION

Super with Flow Frames once your colony is strong and established. Inner cover is placed on top of the super.



BE PART OF OUR COMMUNITY

For beekeeping info, assembly instructions and to keep connected go to:
forum.honeyflow.com or www.honeyflow.com/assembly.

If you are new to beekeeping be sure to join a local beekeeping club or find a mentor in your area for local support and information.

Connect with us and share your pics



facebook.com/flowhive



instagram.com/flowhive



twitter.com/flowhive

